

FLK-PVB 2/24

Order No.: 2295651



<http://eshop.phoenixcontact.de/phoenix/treeViewClick.do?UID=2295651>

VARIOFACE module, with two equipotential busbars (P1, P2) for potential distribution, for mounting on NS 35/7.5 or NS 32. Module width: 90 mm



Commercial data

EAN	4017918173722
Pack	1 Pcs.
Customs tariff	85369010
Weight/Piece	0.1348 KG
Catalog page information	Page 260 (IF-2007)

Product notes

WEEE/RoHS-compliant since:
04/05/2006



<http://www.download.phoenixcontact.com>
Please note that the data given here has been taken from the online catalog. For comprehensive information and data, please refer to the user documentation. The General Terms and Conditions of Use apply to Internet downloads.

Technical data

General data

Nominal voltage U_N	250 V AC/DC
Maximum total current per potential	16 A
Potential connections	Per potential(P1, P2) 2 power/12 distributor terminal blocks

Length	51.6 mm
Height	51.7 mm
Width	71 mm
Ambient temperature (operation)	-20 °C ... 50 °C
Ambient temperature (storage/transport)	-20 °C ... 70 °C
Mounting position	Any
Standards/regulations	IEC 60664
	DIN EN 50178
	IEC 62103
Pollution degree	2
Surge voltage category	III

Connection data, supply

Conductor cross section solid min.	0.2 mm ²
Conductor cross section solid max.	6 mm ²
Conductor cross section stranded min.	0.2 mm ²
Conductor cross section stranded max.	4 mm ²
Conductor cross section AWG/kcmil min.	24
Conductor cross section AWG/kcmil max	10
Type of connection	Screw connection
Stripping length	8 mm
Screw thread	M 3

Connection data, distribution

Conductor cross section solid min.	0.2 mm ²
Conductor cross section solid max.	4 mm ²
Conductor cross section stranded min.	0.2 mm ²
Conductor cross section stranded max.	2.5 mm ²
Conductor cross section AWG/kcmil min.	24
Conductor cross section AWG/kcmil max	12
Type of connection	Screw connection
Stripping length	8 mm
Screw thread	M 3

Certificates / Approvals



requested approbations

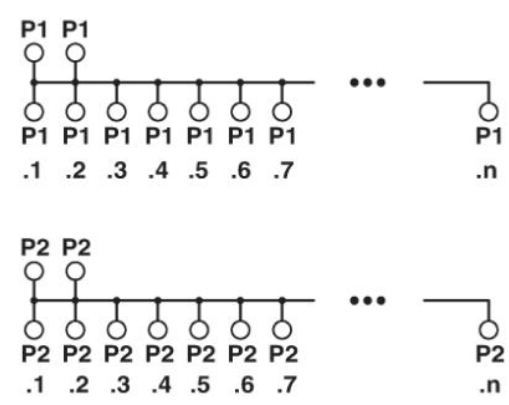
Certification	CUL, GOST, UL
---------------	---------------

Accessories

Item	Designation	Description
Plug/Adapter		
0201647	RPS	Reducing plug, for transition from 4 mm diameter test plug socket, insulation: gray

Drawings

Circuit diagram



Address

PHOENIX CONTACT GmbH & Co. KG
Flachmarktstr. 8
32825 Blomberg, Germany
Phone +49 5235 3 00
Fax +49 5235 3 41200
<http://www.phoenixcontact.de>



© 2008 Phoenix Contact
Technical modifications reserved;